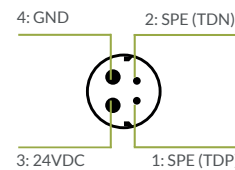
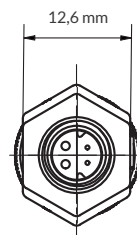
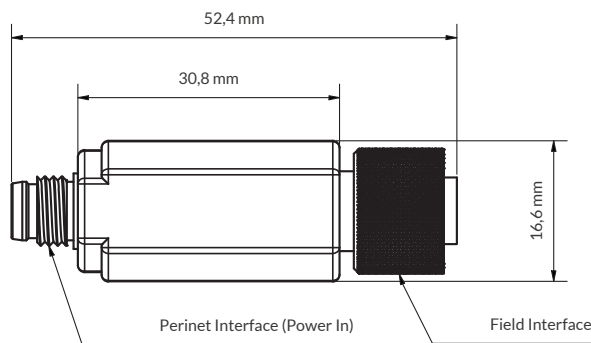




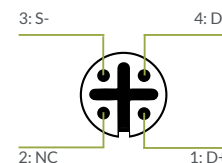
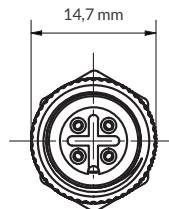
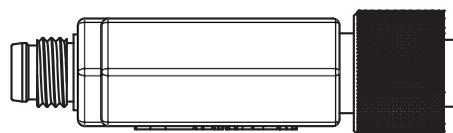
### Key Features

- IPv6 TCP/UDP connectivity
- HTTP-Server hosting web-GUI with sensor values and configuration page
- RESTful API for access to sensor values and configuration
- Sensor value via MQTT
- Zeroconf networking
  - mDNS resolving unique periNODE-hostname
  - DNS Service Discovery for https service
- Security through end-to-end encryption

## Dimensional Drawing & Pinout



Perinet Interface (Power In)  
M8 male (front view)



Field Interface  
M12 A-coded female (front view)

This periNODE smart adapter connects directly to sensors with Pt100 3-wire signal output and M12 A-coded 4-pin connectors.

It turns the analogue, passive sensor into a smart, active network participant that delivers digital data including physical unit via ethernet to any IT-system or data hub for further processing and analytics.

periNODE permits the configuration of data communication intervals to meet user-specific demand, thereby reducing network traffic and redundant data collection.

### Area of application

periNODE Pt100 facilitates a wide variety of IoT and IIoT use cases.

Please note that periNODE is not designed for real-time or safety-critical applications.

### Supported sensors

i.a. WIKA mini resistance thermometer TR33-Z-P3



## Technical Specifications

### Perinet Interface

|               |  |
|---------------|--|
| Type          | M8 male connector according to IEC 63171-6:2020 (style 6P-M8C without shielding) |
| Communication | 100BASE-T1 Single Pair Ethernet (IEEE 802.3bw)                                   |
| Power         | 24VDC input  |

### Field Interface

|        |                                    |
|--------|------------------------------------|
| Type   | M12 A-coded female 4-pin connector |
| Signal | Pt100 3-wire                       |
| Power  | 24VDC output                       |

### Housing

|                                     |   |
|-------------------------------------|---|
| Material                            | Hotmelt   |
| Protection Class                    | IP67  |
| Temperature Range                   | -40°C...+70°C   |
| Electromagnetic Compatibility (EMC) | Immunity for industrial environments (EN 61000-6-2:2005, EN 61000-6-2:2005/AC:2005)<br>Emission standard for industrial environments (EN 61000-6-4:2007, EN 61000-6-4:2007/A1:2011) |
| Compliance                          | CE, RohS, WEEE  |

**Note:** We reserve the right to make technical changes to the products and to the content of this document at any time without prior notification. Perinet GmbH does not accept any responsibility for possible errors or incompleteness in this document. We reserve all the rights to this document and the topics and illustrations contained within it. Copying, disclosure to third parties or use of its content - even partially - is forbidden without the prior written consent of Perinet GmbH.