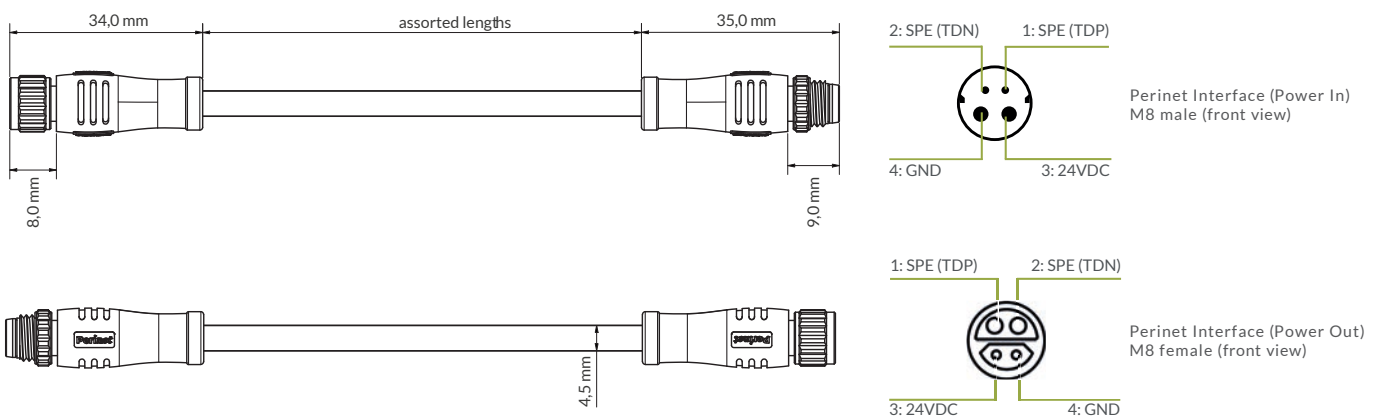




Key Features

- PUR jacket cable with M8 hybrid SPE connectors
- 2 wires for data transmission (100Mbit/s)
- 2 wires for power transmission (24VDC)
- Available in different length

Dimensional Drawing & Pinout



The periLINE hybrid SPE cable connects Perinet Smart Components within the Seamless IoT Connectivity system.

It carries both data and power supply and, thereby, facilitates easy and straight-forward deployment.

Assorted cable lengths allow for adaptation to any given use case, setting or environment, from industrial production lines to commercial applications and smart buildings, to name but a few.

Area of application

periLINE comes in assorted lengths for flexible deployment in various IoT and IIoT use case settings.

Please note that periLINE is not designed for real-time or safety-critical applications.



periLINE hybrid SPE cable

Assorted lengths from 1m to 15m
Part no. (1m): PRN.000.009

Technical Specifications

Perinet Interface (Power In)

Type	M8 male connector according to IEC 63171-6:2020 (style 6P-M8C without shielding)
Communication	100BASE-T1 Single Pair Ethernet (IEEE 802.3bw)
Power	24VDC input

Perinet Interface (Power Out)

Type	M8 female connector according to IEC 63171-6:2020 (style 6P-M8C without shielding)
Communication	100BASE-T1 Single Pair Ethernet (IEEE 802.3bw)
Power	24VDC output

Cable

Type	Special-PVC control cable adapted to DIN VDE 0285-525-2-51/DIN EN 50525-2-51
Compliance	ROHS 2.0 requirements

Material

Conductor - Braiding - Insulation - Separator/Filler - Jacket	Stranded Tinned Copper - Tinned Copper - PE/SR-PVC - Cotton - PUR
---	---

Physical and Electrical Performance

Rated Voltage & Temperature	300V, +80°C
Temperature Range	-40°C...+80°C
Max. DC Conductor Resistance at 20°C	26AWG: 150Ω/km; 20AWG: 36.7Ω/km
Min. Insulation Resistance at 20°C	100MΩ*km

Characteristic Impedance

Impedance	100±15Ω, 1MHz
Dielectric Strength	2.0kV/1min, AC

Note: We reserve the right to make technical changes to the products and to the content of this document at any time without prior notification. Perinet GmbH does not accept any responsibility for possible errors or incompleteness in this document. We reserve all the rights to this document and the topics and illustrations contained within it. Copying, disclosure to third parties or use of its content - even partially - is forbidden without the prior written consent of Perinet GmbH.