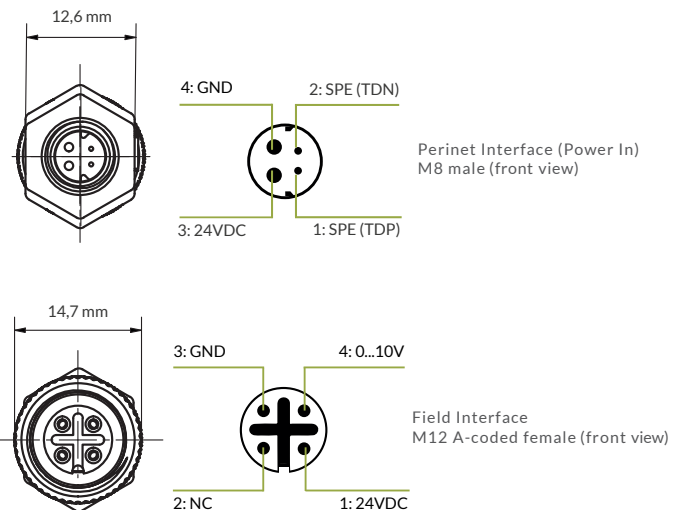
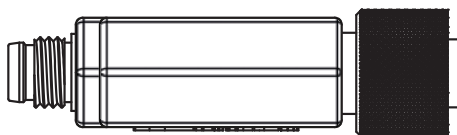
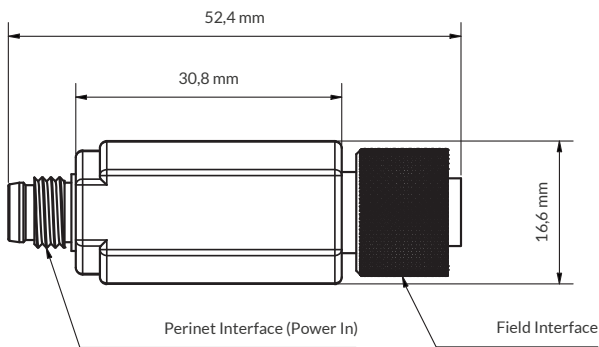




### Key Features

- IPv6 TCP/UDP connectivity
- HTTP-Server hosting web-GUI with sensor values and configuration page
- RESTful API for access to sensor values and configuration
- Sensor value via MQTT
  - mDNS resolving unique periNODE-hostname
  - DNS Service Discovery for https service
- Security through end-to-end encryption

## Dimensional Drawing & Pinout



This periNODE smart adapter connects directly to sensors with 0...10V signal output and M12 A-coded 4-pin connectors.

It turns the analogue, passive sensor into a smart, active network participant that delivers digital data including physical unit via ethernet to any IT-system or data hub for further processing and analytics.

periNODE permits the configuration of data communication intervals to meet user-specific demand, thereby reducing network traffic and redundant data collection.

### Area of application

periNODE 0...10V facilitates a wide variety of IoT and IIoT use cases.

Please note that periNODE is not designed for real-time or safety-critical applications.

### Supported sensors

i.a. Micro Detectors ultrasonic sensor UK6A/H1-0EUL



## Technical Specifications

### Perinet Interface

Type	M8 male connector according to IEC 63171-6:2020 (style 6P-M8C without shielding)
Communication	100BASE-T1 Single Pair Ethernet (IEEE 802.3bw)
Power	24VDC input

### Field Interface

Type	M12 A-coded 4-pin female connector
Signal	0...10V analogue input
Power	24VDC output

### Housing

Material	Hotmelt
Protection Class	IP67
Temperature Range	-40°C...+70°C
Electromagnetic Compatibility (EMC)	Immunity for industrial environments (EN 61000-6-2:2005, EN 61000-6-2:2005/AC:2005) Emission standard for industrial environments (EN 61000-6-4:2007, EN 61000-6-4:2007/A1:2011)
Compliance	CE, RohS, WEEE

**Note:** We reserve the right to make technical changes to the products and to the content of this document at any time without prior notification. Perinet GmbH does not accept any responsibility for possible errors or incompleteness in this document. We reserve all the rights to this document and the topics and illustrations contained within it. Copying, disclosure to third parties or use of its content - even partially - is forbidden without the prior written consent of Perinet GmbH.